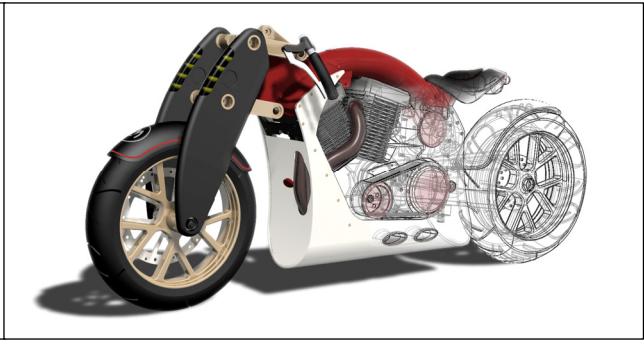
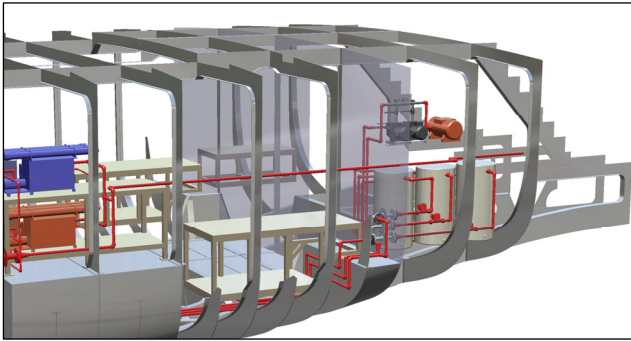


THINKDESIGN PROFESSIONAL

think3
Shape a new world.

The product definition process completely covered



The ThinkDesign Professional solution covers the entire product definition cycle, meeting the needs of those working in Styling, Engineering and Tooling departments. It encompasses all the experience gained by think3 in the field while supporting clients, and all the power of the ThinkDesign Suite that, version after version, has developed to achieve levels of integrity and flexibility that are still unique in the CAD solution world. The range of tools is amazingly rich. Using functions such as 2D, 2D and 3D integration, curve creation and editing, surfaces and solids, sheet metal, tubing, assembly management, table creation, animation, mechanical component libraries, FEM integration, rendering and much, much more, the project materializes in the product. Integration with the thinkPLM suite means the whole lot is managed perfectly. One of the benefits of using a unique solution like ThinkDesign Professional throughout the various product definition phases lies in the demolition of the communication barriers among designers, engineers and molding and equipment technicians, due to the possibility of intervention without losing the work done by other departments. Thanks to the advantages of the solid modeling, the flexibility of the free form surface models and the impressive GSM³ editing tools, you can make highly creative and precise modifications to any type of shape, be it native or imported, while keeping complete association, in a much shorter time compared to traditional approaches.

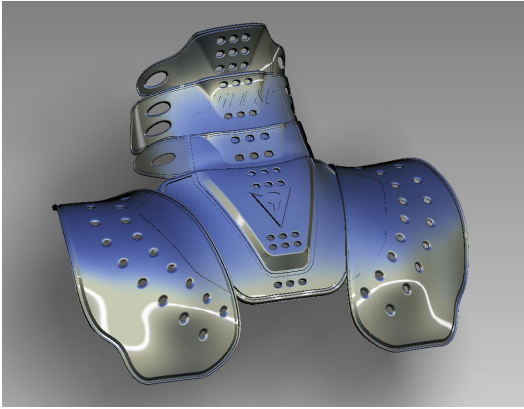
From conception to shape without fearing modifications

In order to keep the creative intentions of the designer unaltered, images in the standard graphic formats originating from scanners or graphic processing applications can be entered in the 3D workspace. These can be used as a basic sketch on which to construct the curves and surfaces required to form the shape. In the subsequent phases of modeling and editing, the think3 Global Shape Modeling, called GSM³, provides an incredibly high level of technological innovation that is easier to use than ever before. It is currently the only creation and editing tool that lets you make fast changes with great accuracy and precision, at any phase of the project process, thereby accelerating interactions, without limiting creativity and without having to rebuild models.



Unique 2D and 3D solution integrated with the PLM

The ThinkDesign Professional integrated design environment ensures complete 2D/3D/PDM transparency. ThinkDesign Professional provides optimized interoperating 2D and 3D environments that are completely integrated with thinkPLM, the think3 PLM (Product Lifecycle Management) application suite. In this way, companies are able to protect and edit the existing 2D data, by preserving the original investment and eliminating the risk associated with the migration from one design platform to another. ThinkPLM lets users research data, generate bills of material, manage the documentation associated with the project, and is one of the key tools in managing the reviews of parts and machine sets and in the maintenance cycle of molds and equipment.

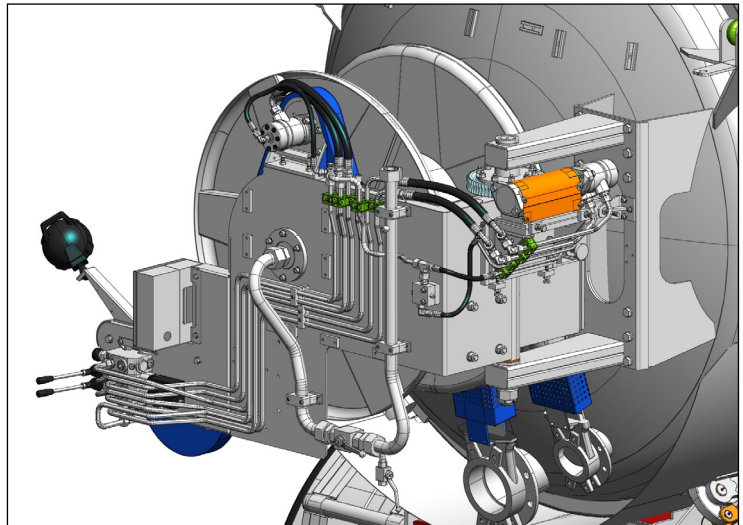


Modeling without limit

Interactive Solid Modeling (ISM) frees users from the parametric logic made of profiles and constraints and from the sequences with which the object was built, to directly obtain the expected modification result. Remove, move and replace faces simply and dynamically, generate offsets and close topologies that are open on native and imported solid geometries. ThinkDesign Professional is the only software on the market to offer authentic hybrid modeling, perfectly integrating solids and surfaces in the same environment, thus meeting the needs of designers, engineers and technicians, ensuring innovative modeling abilities, in a flexible design environment that is easy to use.

Part and assembly design

ThinkDesign Professional offers designers innovative tools to engineer parts and assemblies. It supports both the "top-down" and the "bottom-up" approaches, letting users choose according to their needs. Simplified Representation allow faster loading and viewing of large assemblies, keeping the parametric behavior unaltered. Visual Bookmarks make easier the viewing operations and symbolic references allow the prompt replacement of components or sub-assemblies. Animation and collisions check, detect any interference among the parts of the same assembly. The Smart Objects are very useful, as they incorporate and reapply working sequences by capturing and sharing the know-how of the design and the adaptive measures which, by reading the dimensional values from the surrounding



2D and 3D Translators

ThinkDesign Professional features 2D translators for DWG, DXF, IGES and GBG Draftmaker formats, as well as 3D translators for IGES, STEP, STL, VDA, VRML, WaveFront and IV formats, the neutral format of ThinkDesign and ASCII. Other think3 translation platforms (purchased separately) support most of the proprietary 3D formats as well as the bidirectional conversion of Catia V5, Pro/E and Parasolid files. The bidirectional converter for Catia V4 files is also available (2D included).

Images courtesy of:

GP Service, Lagostina, Dainese, Jurup

System Requirements for ThinkDesign Professional

Minimum

- Vista™, XP Professional x64 Edition, XP Professional/Home SP2 or higher, Microsoft® Windows® 2000 professional/Server SP4 or higher
- Intel® Pentium 4 2 GHz or equivalent processors supported by SSE2 for AMD systems System memory (RAM) 1 GB, 1.5 GB for Vista™
- Virtual memory (paging) 1 GB
- Disk space 600 MB for a typical installation
- Graphics accelerator 64 MB Vram OpenGL™ 1.4
- Microsoft® .NET Framework Version 2.0 or higher
- Microsoft® Internet Explorer 6.0 SP1 or higher

Suggested

- Vista™, XP Professional x64 Edition, XP Professional/Home SP2 or higher, Microsoft® Windows® 2000 professional/Server SP4 or higher
- Intel® Pentium 4 2.4 GHz or equivalent processors supported by SSE2 for AMD systems
- System memory (RAM) 1.5 GB, 2 GB for Vista™
- Virtual memory (paging) 2 GB
- Disk space 600 MB for a typical installation
- Graphics accelerator 128 MB Vram OpenGL™ 1.4
- Microsoft® .NET Framework Version 2.0 or higher
- Microsoft® Internet Explorer 6.0 SP1 or higher

Mktg 01/2009